

Project Portfolio

Berit Levy

Ciclo

Ciclo is a design exercise that encourages people to think creatively about multi-functionality within the domestic landscape. It integrates configurable components in one product to reduce quick-paced product replacement.

The over-exposure to material goods has desensitised consumers from finding meaning through things. Ciclo's intent is to softly recondition consumers to think differently about the things they already own, and through multi-functionality, encourage consumers to exercise their creativity.

The end goal is to promote more mindful consumption.



1 Driving Force



Enzo Mari creates a provocation towards the ongoing throw-away culture through his project Autoprogettazione—meaning self-design.

The project was described as a design exercise: by giving people the simple tools to amplify their knowledge of production and free people from excessive consumption.

In doing so, the goal is to disentangle consumption's habit of seducing us and be able to adopt a newfound appreciation for things.

2 Exploring Multi-Functionality

Delving deeper into notions of replacement and multi-functionality led me to execute modular design exercises.



*My project addresses ways to integrate **multi-functional components** in one product to **reduce quick-paced product replacement**.*

My first experiments exploring modular possibilities led me to produce an artistic representation of my project as a way to clearly convey each of the key words: multi-functional, components, reduce, quick-paced product replacement. Creating this artefact was vital to finding the essence of the project. It informed my design process and development towards my final piece.



3 Key Design Considerations



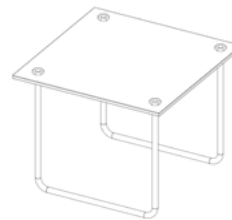
1



Testing a height adjusting mechanism in furniture. The minimum height is 45cm (average height of a seat), maximum height is 85cm (tall tabletop).



2



Stools, shelves or tables. Originally designed so that one of the legs can join diagonally both top surfaces.



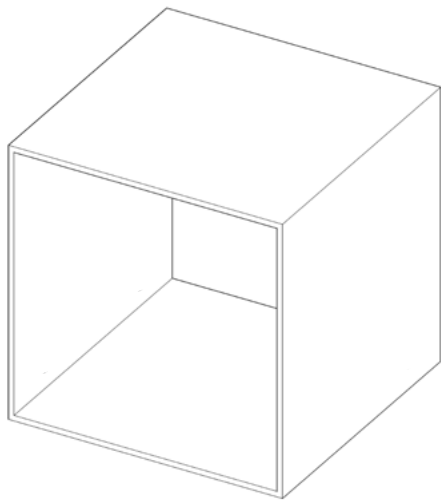
3



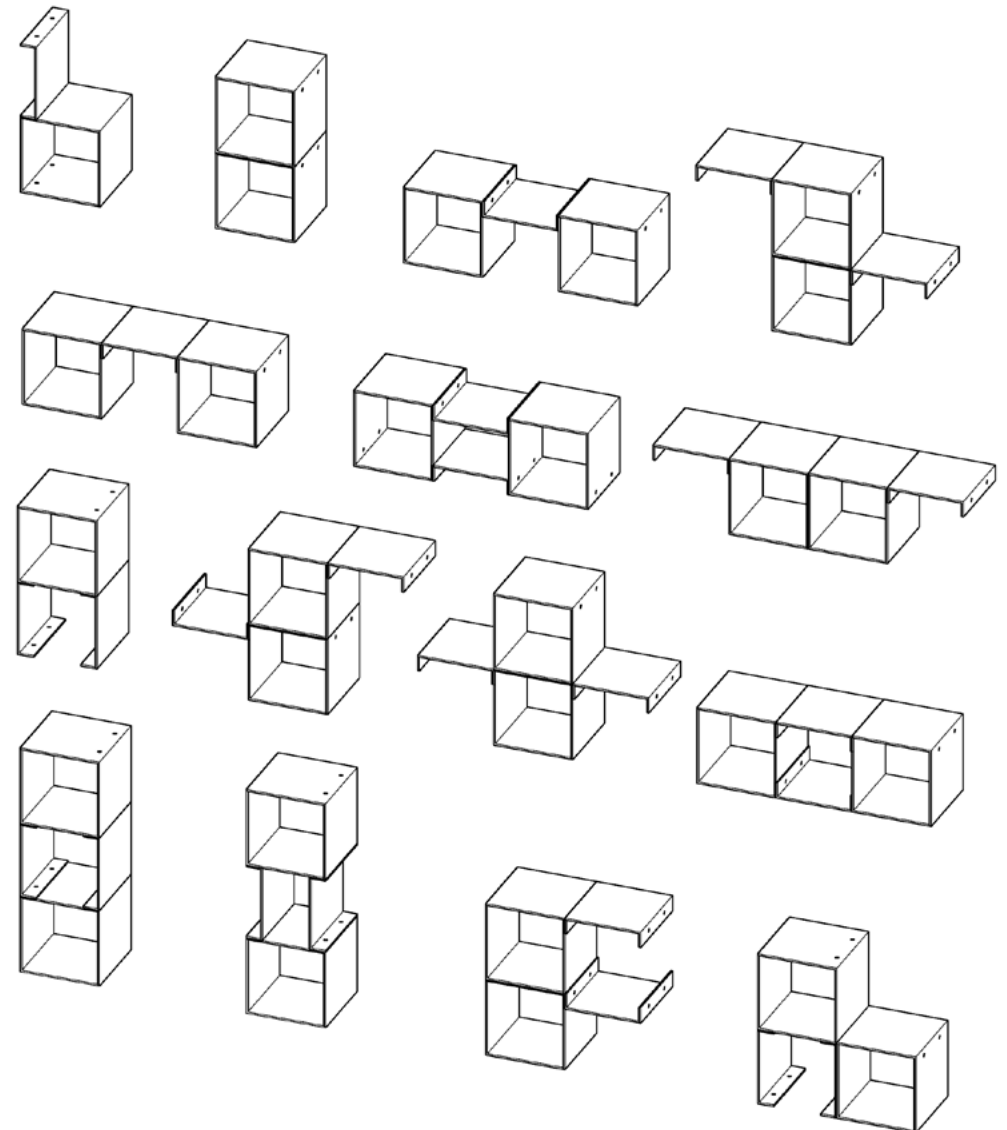
Iteration from the previous prototype. Designed system that uses its own legs to join two stools together to form a bigger low table/ bench.

4 Key Design Decisions

Encouraging a creative, design exercise can be a first step to reducing quick-paced product replacement. In thinking about how I will design this, the first shape that came to mind is a **cube**.

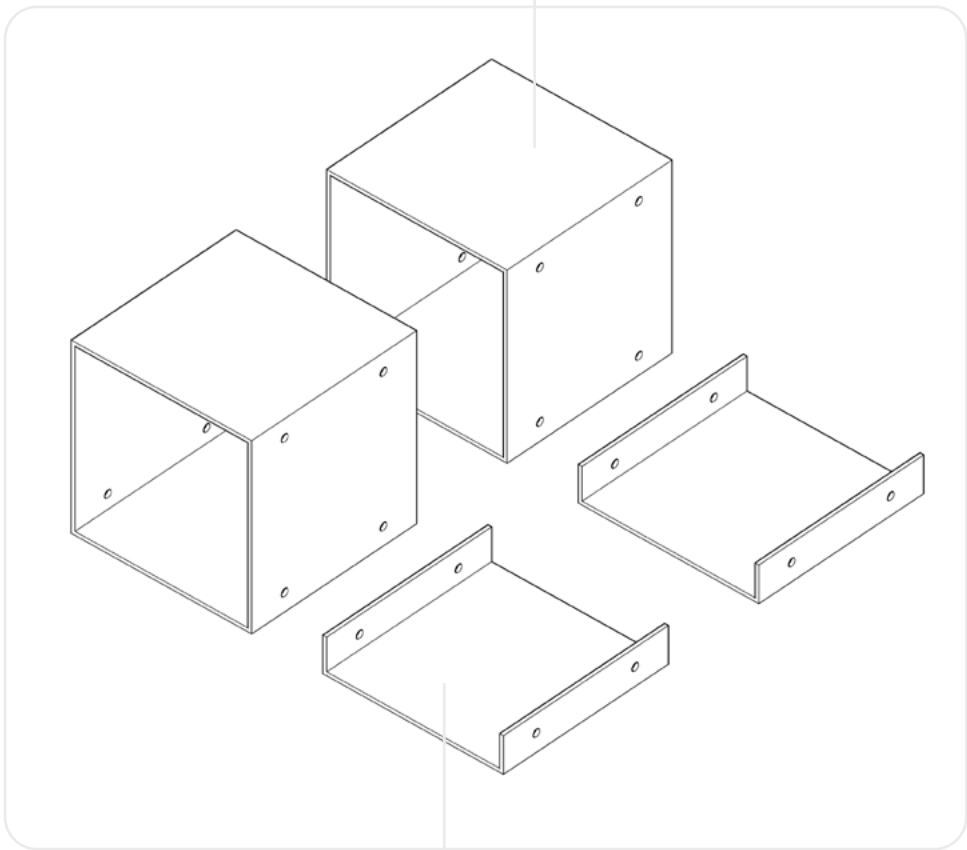


This shape is a symbol of structural stability and permanence. It is the most versatile and universal form; it is extremely simple and entirely stripped back from excess.

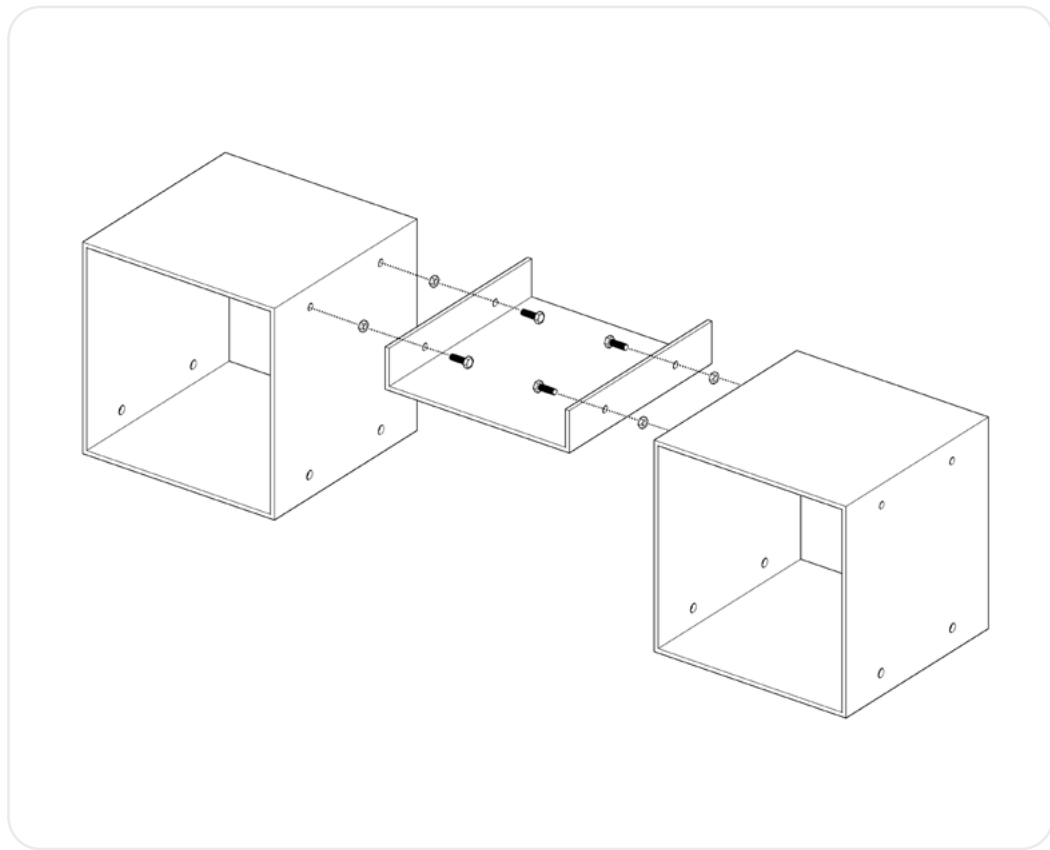


5 Components

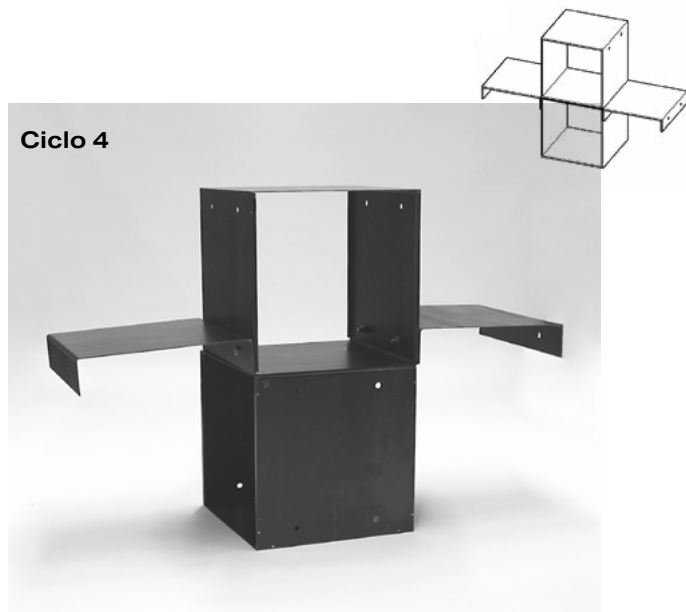
Cube



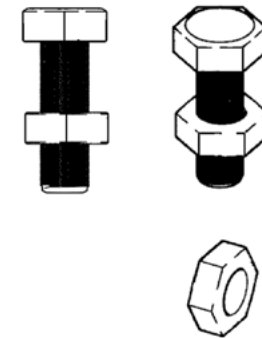
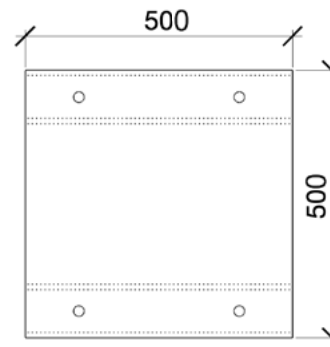
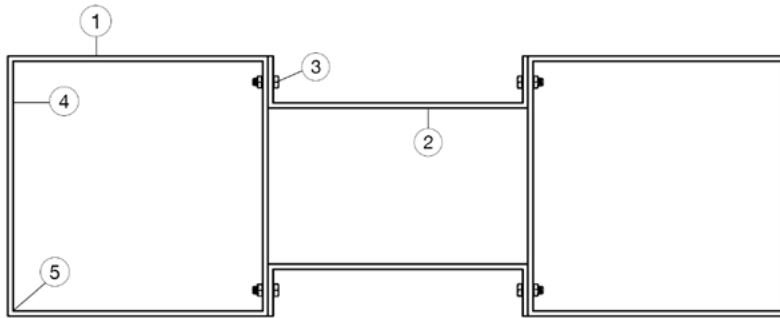
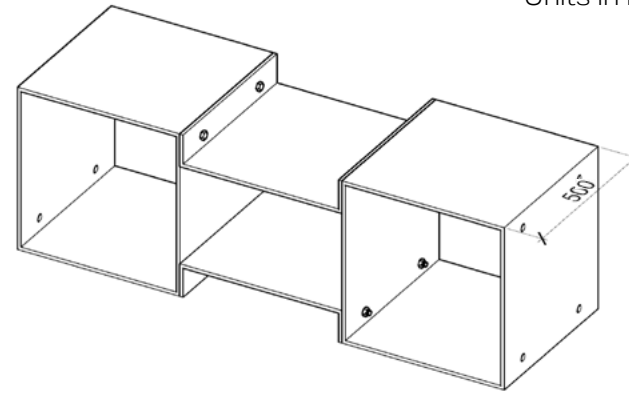
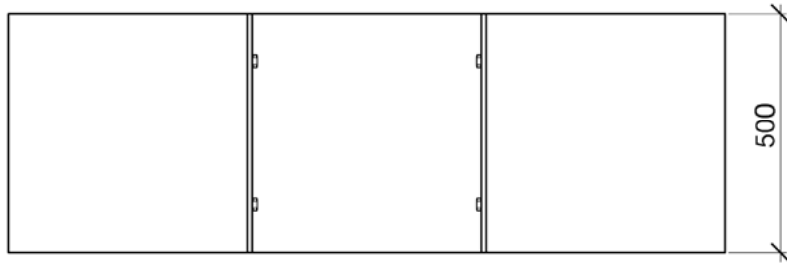
'U' Extension



Ciclo means cycle in Spanish, referring to the cyclical nature of consumers' desire for renewal through material thing. Therefore, each configuration represents a new cycle.

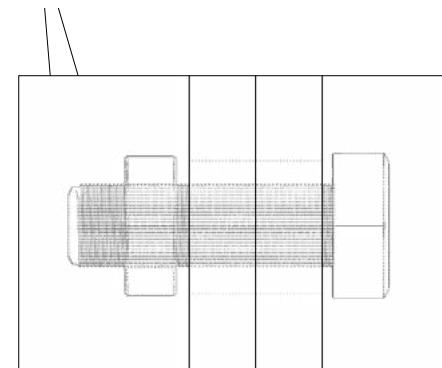


Units in millimetres



BILL OF MATERIALS

Item	Description	Material	Measurement	Quantity
1	Folded cube (two L shapes welded together)	3mm mild steel sheet	20000x500x3mm	2
2	Folded 'U' extension	3mm mild steel sheet	680x500x3mm	2
3	Nuts and bolts	Stainless steel	M16	8 nuts 8 bolts
4	Square bar fixed with nails onto folded cube	Mild steel	10x10x480mm	12
5	Black silicone sealant (to cover welds)	Silicone	n/a	n/a







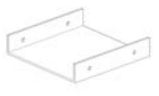
6 Instruction Manual

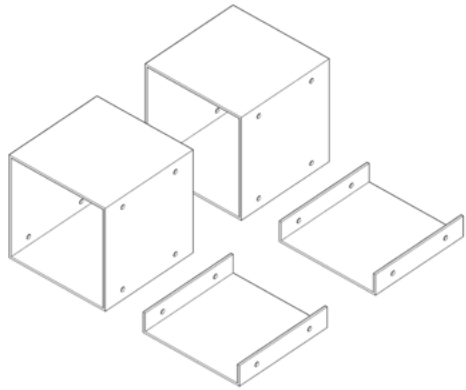
An assembly instruction manual would be provided, detailing all the parts included with the product as well as an assembly example configuration explained with an exploded view.

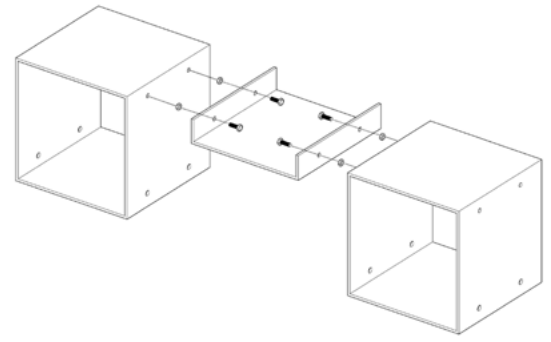
Ciclo

The over-exposure to material goods has desensitised consumers from finding meaning through things. Ciclo's intent is to softly recondition consumers to think differently about the things they already own, and through multi-functionality, encourage consumers to exercise their creativity.

Please note: You will need two people to assemble and re-configure Ciclo. Read the full assembly instructions before starting.

Parts		
		
1 x Wrench	8 x M16 nuts	8 x M16 bolts
		
2 x Cube	2 x U-extension	

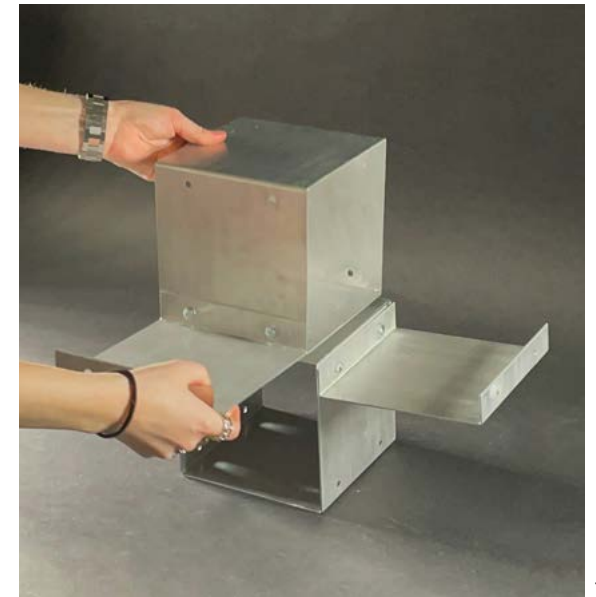
Step 1	
<p>Please arrange the parts to your liking before you start assembly.</p> <p>You can use the cover as a guide.</p>	
	

Step 2	
<p>Note: 2 people are needed to lift the cubes.</p> <p>Use the nuts and bolts to fasten components, using the spanner to tighten nuts.</p>	
	
	<p>Note</p> <p>This demonstrates an example of a configuration. Fastening process is applicable to any combination.</p>

7

Ciclo in Aluminium

The mild steel 1:1, individual cube weighs 25kg, an aluminium one would weigh 8kg.

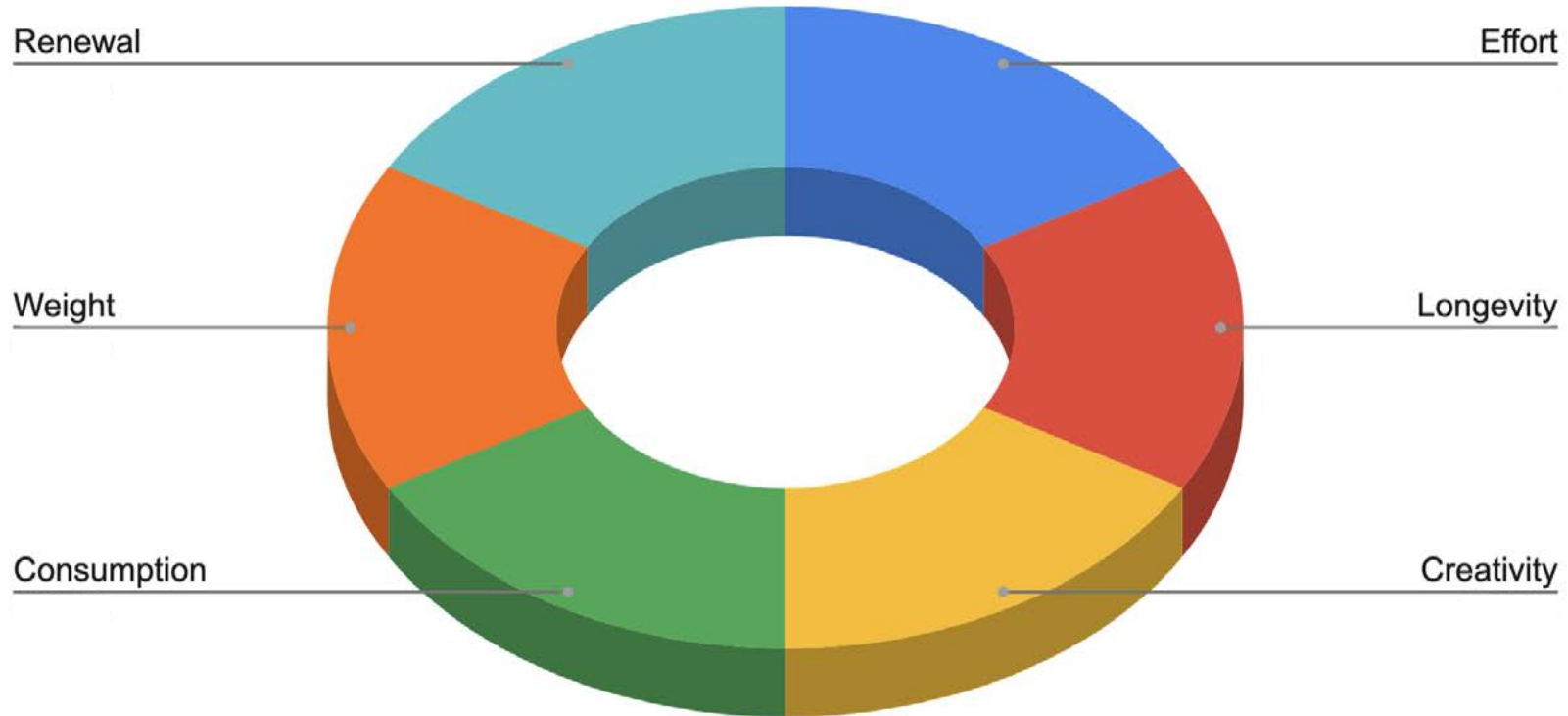


8

User-Map



9 Conclusion and Relevance to Society



This product has six different elements that are equally weighted within the product experience: consumption, longevity, weight, creativity, effort, renewal. Each of these aspects aim to encourage consumers to a newfound appreciation for the ordinary, the every day and their domestic landscape.



Ciclo's Philosophy

In practicing creativity and redefining the things we already own, not only does it give a sense of renewal that we often seek, but it encourages us to have a different outlook on our every day experience.