

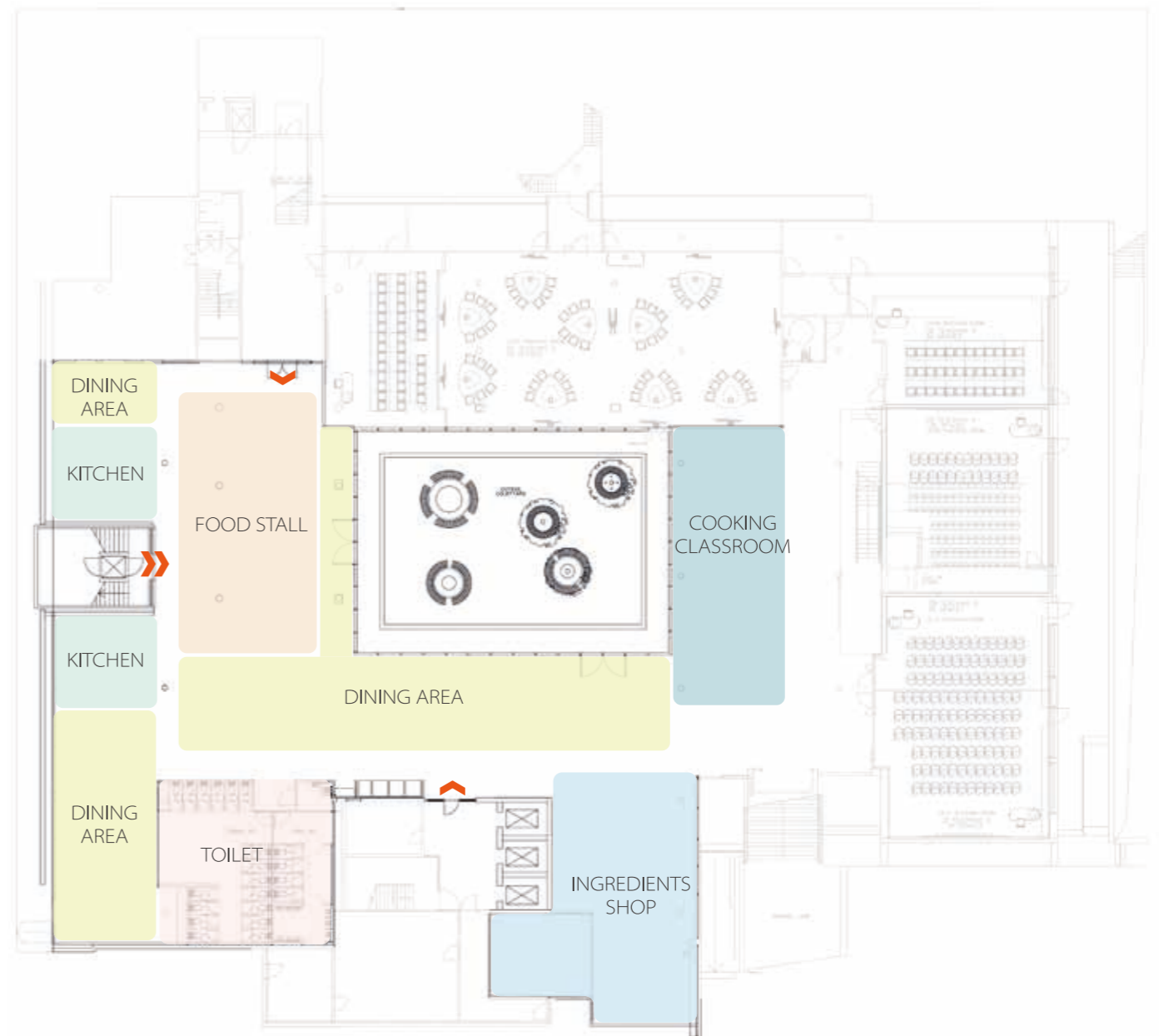
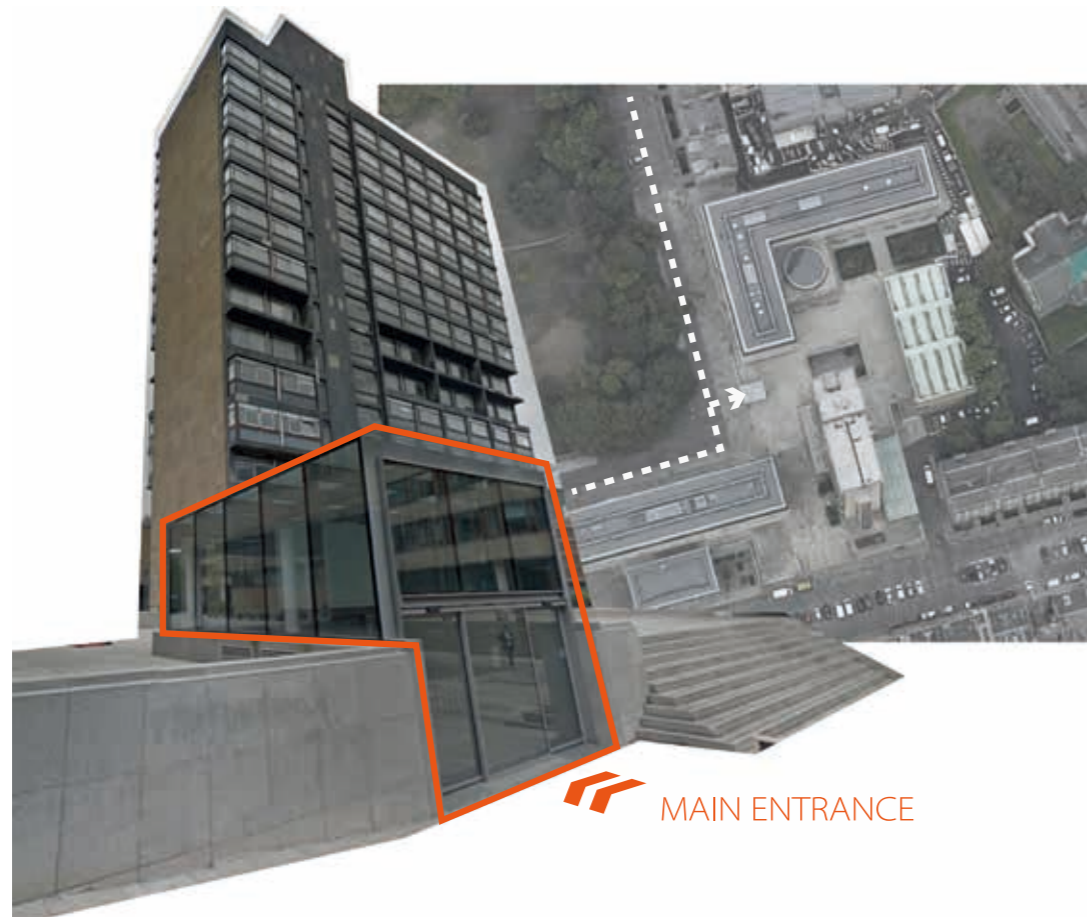
Synthesis Project

- Brief
- Researches
- Iterative process
- Proposal

Manifesto and Theme

"Create spaces that are humanized, functional and personalized."

This project renovated the lower ground floor of 40 George Square into a food hub where students can buy and cook food, with the aim of creating a space for all students to communicate and socialise freely, helping them integrate into a new environment and meet new friends. I developed the project following my personal manifesto, which is based on a human-centred approach, taking into account functionality and individuality. By paying attention to the psychology, physicality and behaviour of different students, I segmented the floor plan into different forms of space; open, private, independent and collaborative. In addition, I created an atmosphere of freedom, relaxation and security to meet the spiritual function of socialising.



- | | |
|---|---|
| ■ KITCHEN | ■ COOKING CLASSROOM |
| ■ FOOD STALL | ■ DINING AREA |
| ■ INGREDIENTS SHOP | ■ TOILET |

Precedents

- Edinburgh Farmers' Market

This market is located at the base of Edinburgh Castle and is open every Saturday morning. The market sells farm products as well as handmade bread, coffee and many other things.

This market consists of a number of individual stalls with awnings. The atmosphere is very lively and the sellers are enthusiastic in introducing their products to the customers.

As it is an outdoor market, it is affected by weather conditions, such as it is closed in bad weather, or there are problems with food materials spoiling in hot weather.

I think it is a very good social environment and I will use this as a reference for my food stalls. Apart from selling snacks, students can also set up their own stalls and sell food.



Figure 1, 2 Farmer's Market, photo by Jifan Xu, 2022

Reflection



Figure 3 Reflection, drawn by Jifan Xu, 2022

Precedents

- TULIP Your place at the table, ADHOC architectes

The colorful installation was conceived to safely accommodate and attract citizens currently reappropriating the downtown of Montreal after several weeks of confinement due to the COVID-19 pandemic. At the same time, it provides an urban social space for passers-by to walk and rest.

I think it is a very special furniture, with its streamlined shape and bright colours, creating an interesting and relaxed social atmosphere for users.

However, its large size and lack of freedom of movement are limitations. If this form of table and chairs is to be used in my project, it will still need to be redesigned to adapt to different environments.

<https://www.archdaily.com/947544/tulip-nil-your-place-at-the-table-adhoc-architectes>

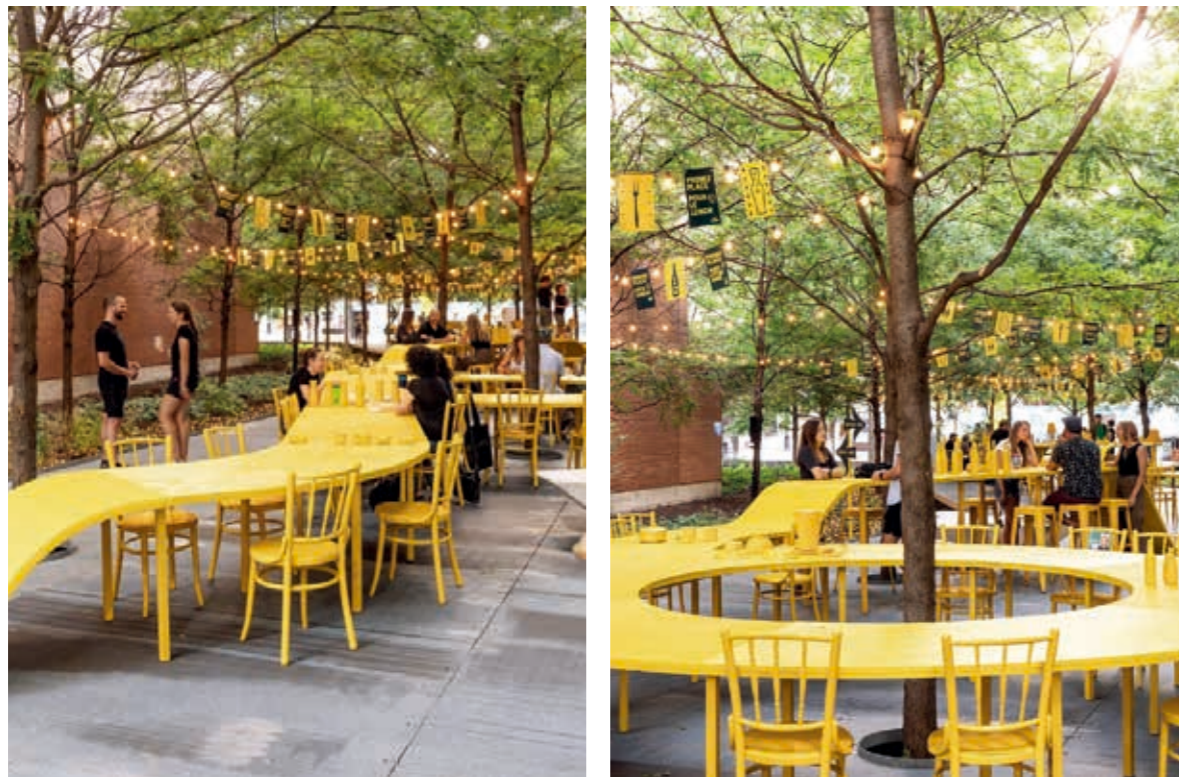


Figure 4, 5 Your place at the table, photo by Raphael Thibodeau, 2020

Reflection

Topic: How to create a comfortable outdoor social environment?

Combining the table with greenery makes the whole outdoor space more interesting. It's a great way to encourage people to socialize and get closer to nature at the same time.



Figure 6 Reflection, drawn by Jifan Xu, 2022



Figure 7 ABC COOKING STUDIO, 2016



Figure 8 TIANLI Baking, 2020
<https://www.anneclass.com.tw/>



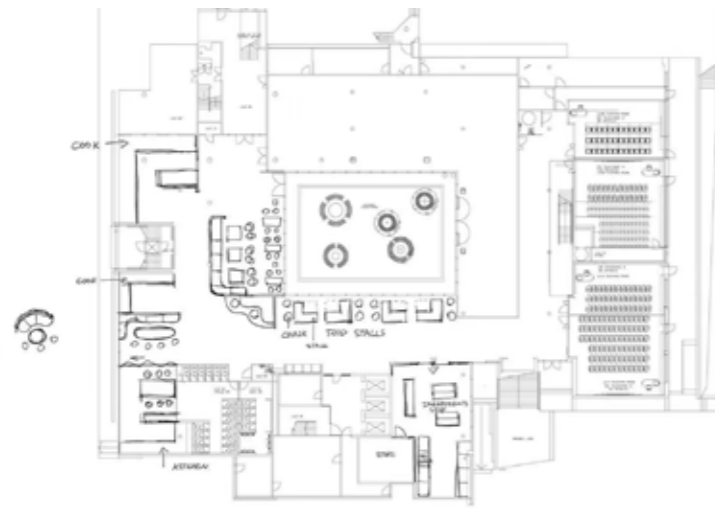
Figure 8 Pulllalala Baking, 2016
<https://pulllalala.pixnet.net/blog/post/208561375>

Reflection

By searching online for some Cooking and Baking Studios, I have selected and summarised three elements which I consider to be very important.

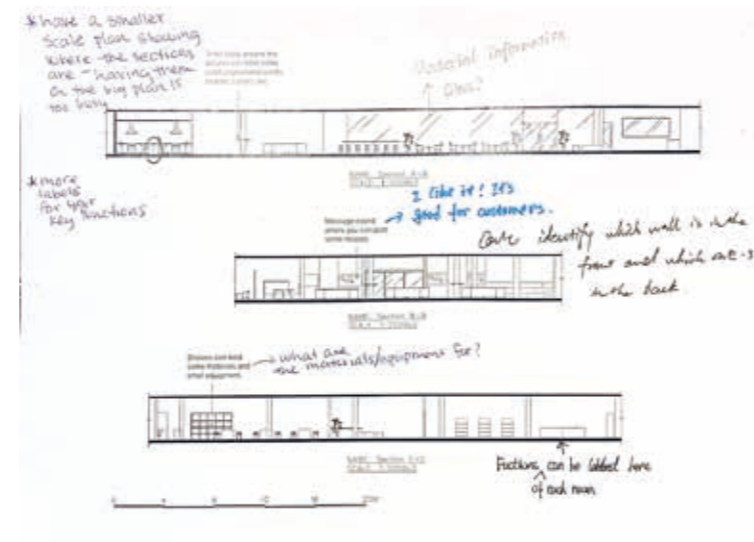
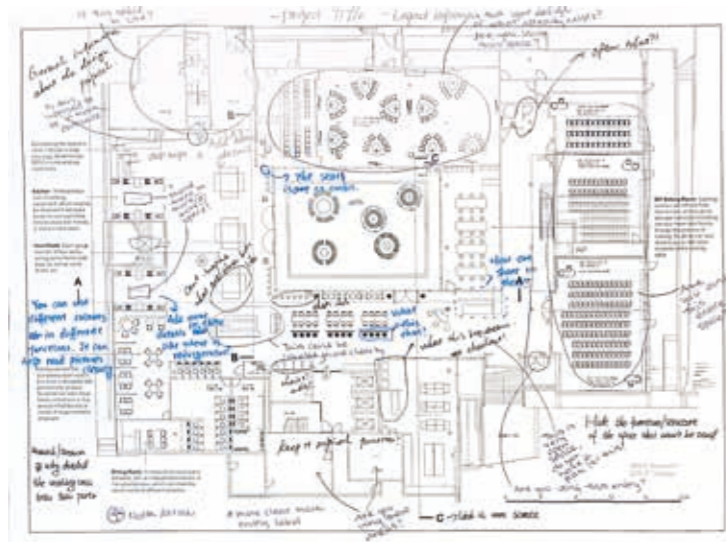
- A worktop with enough width to keep a lot of cooking utensils during preparation. Also, people can stand on either side of it, which is good for communication and collaboration.
- Enough storage space for equipment and hanging utensils.
- Enough space for large-sized baking machines, such as ovens.





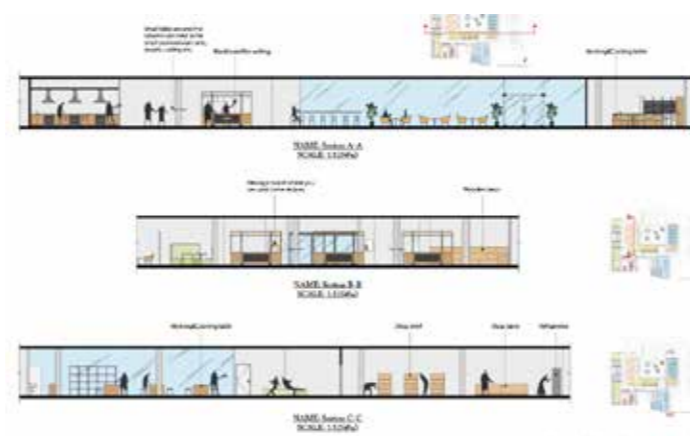
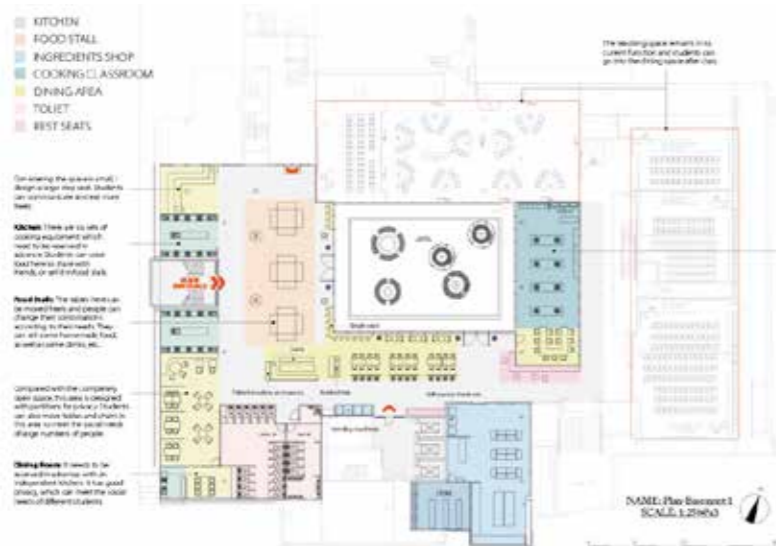
Sketch

Detailed the layout of furniture according to the functional zoning, but failed to consider the specific dimensions and many spaces could not be fitted.



CAD Sketch

- Lack of North Arrow
- Drawings are too large and do not leave enough space for text information
- Some unused spaces in the plans still have details of the layout, which affects the reader's reading
- Main entrances and waydinding are not marked
- Some graphics lack detail and explanation, the reader cannot understand their function



CAD Sketch

- Lack of materials
- Cook Classroom needs more storage space
- Further design of central garden

The teaching space remains in its current function and students can go into the dining space after class.

Considering the space is small, I design a large stair seating. Students can communicate and eat more freely.

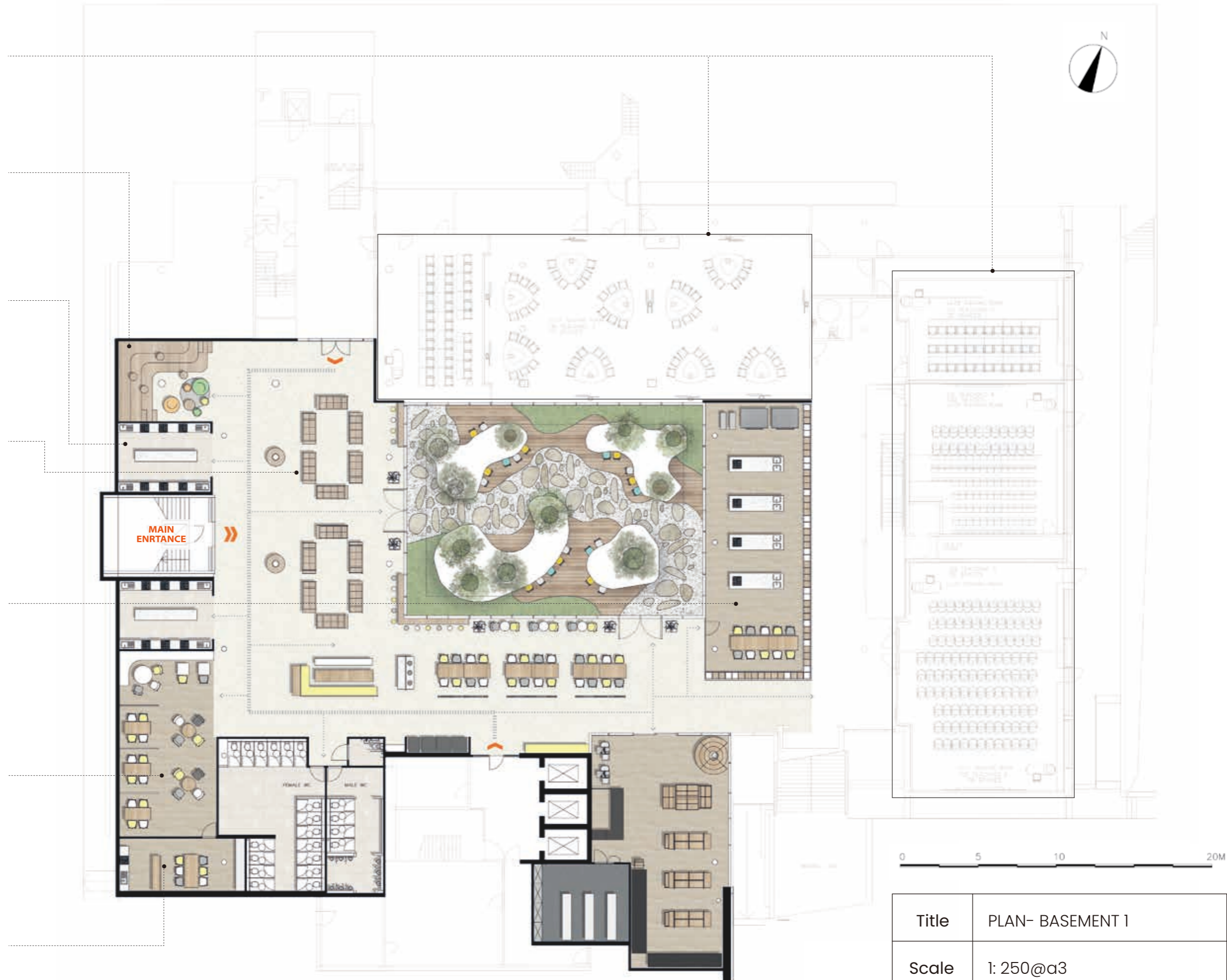
Kitchen: There are six sets of cooking equipment, which need to be reserved in advance. Students can cook food here to share with friends, or sell it in food stalls.

Food Stalls: The tables here can be moved freely and people can change their combinations according to their needs. They can sell some homemade food, as well as some drinks, etc.

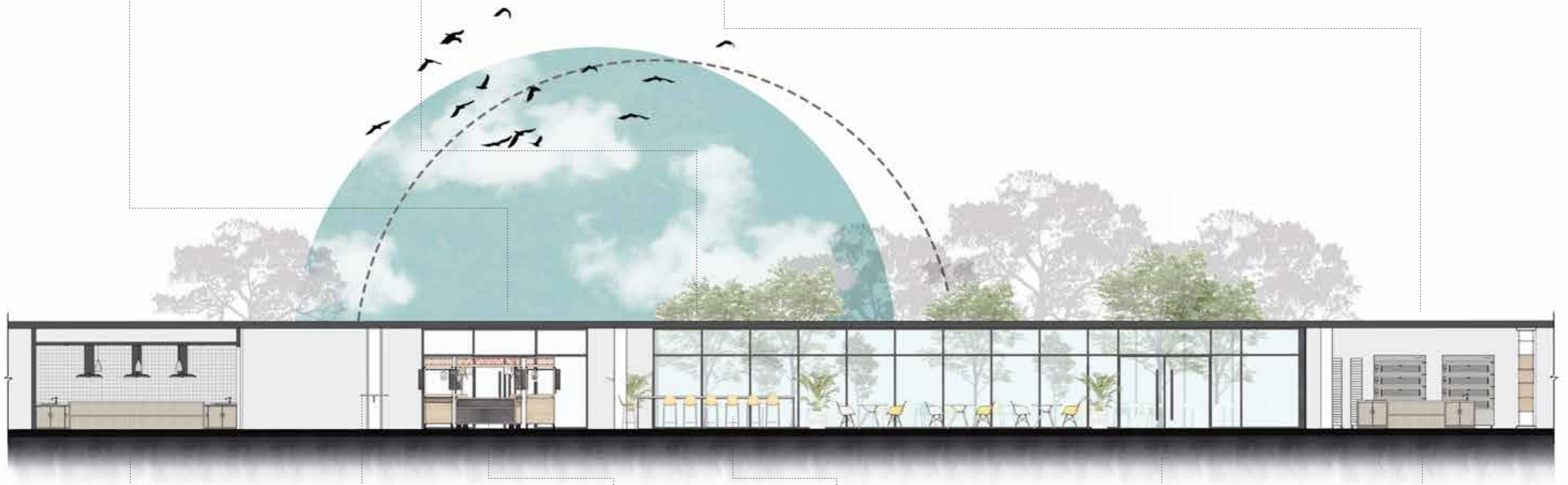
Cooking Classroom: Cooking courses are offered from time to time, and students who are interested in baking can also meet new freinds through the process of making. Students can also share biscuits with other students at the sharing table.

Compared with the completely open space, this area is designed with partitions for privacy. Students can also move tables and chairs in this area to meet the social needs of large numbers of people.

Dining Room: It needs to be reserved in advance, with an independent kitchen. It has good privacy, which can meet the social needs of different students.



Title	PLAN- BASEMENT 1
Scale	1: 250@a3
Site	40 George Square University of Edinburgh



Kitchen

Small table around the column can hold some small promotional cards, sauces, cutlery, etc.

Blackboard for writing

Single seating close to the window

Garden Entrance

Cooking Classroom

Title	SECTION A-A
Scale	1: 125@a3
Site	40 George Square University of Edinburgh



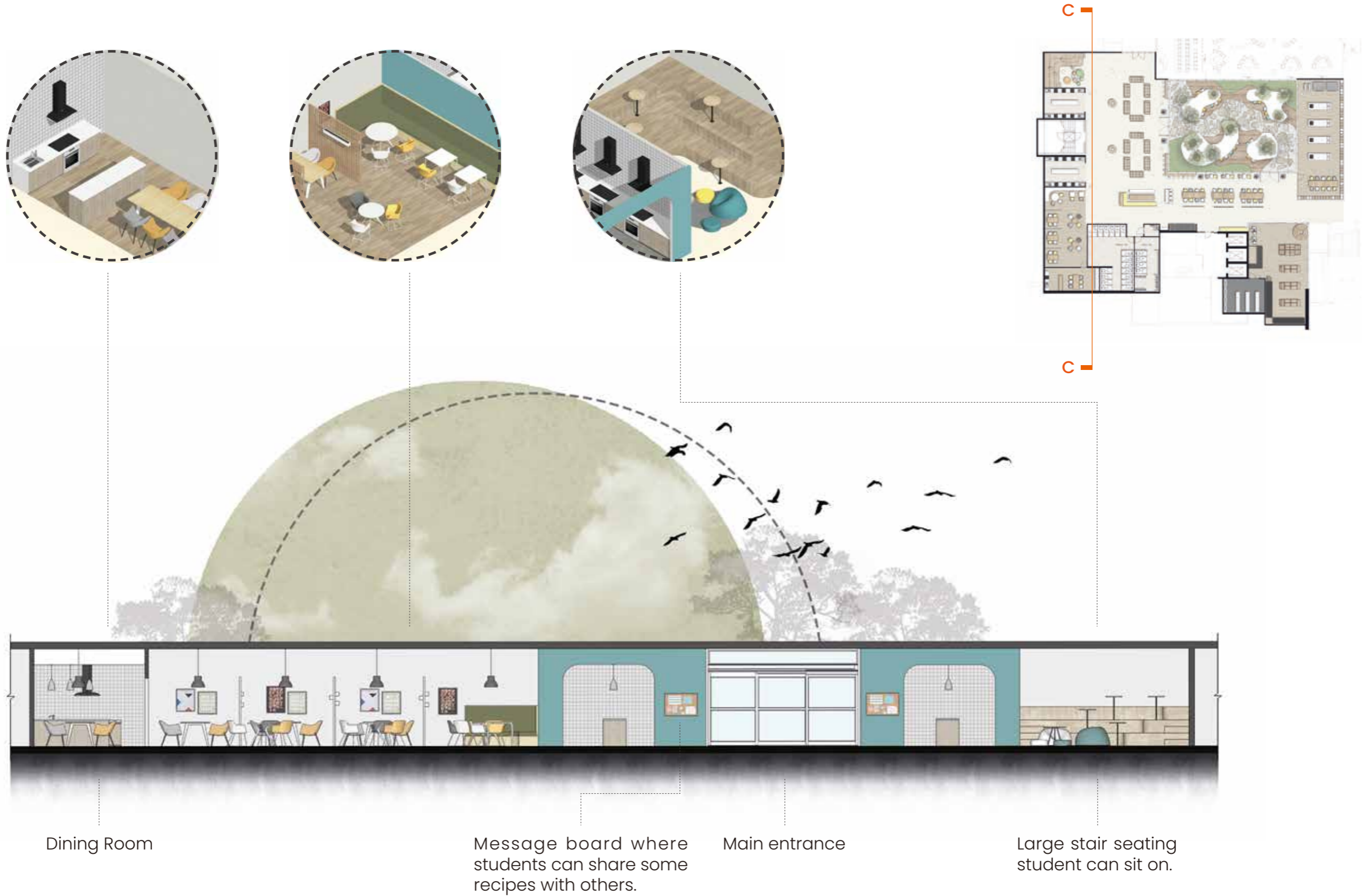
INGREDIENTS SHOP

Goods shelves

Self-service checkout

Central Garden

Title	SECTION B-B
Scale	1: 125@a3
Site	40 George Square University of Edinburgh



Dining Room

Message board where students can share some recipes with others.

Main entrance

Large stair seating student can sit on.

Title	SECTION B-B
Scale	1: 125@a3
Site	40 George Square University of Edinburgh

PROPOSAL

SYNTHESIS PROJECT



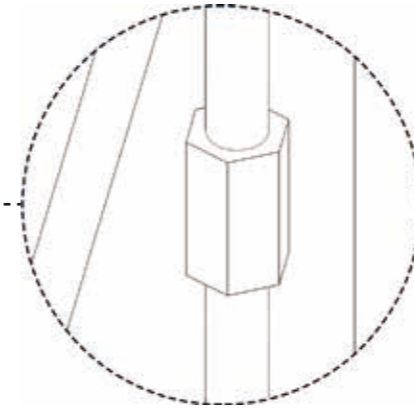
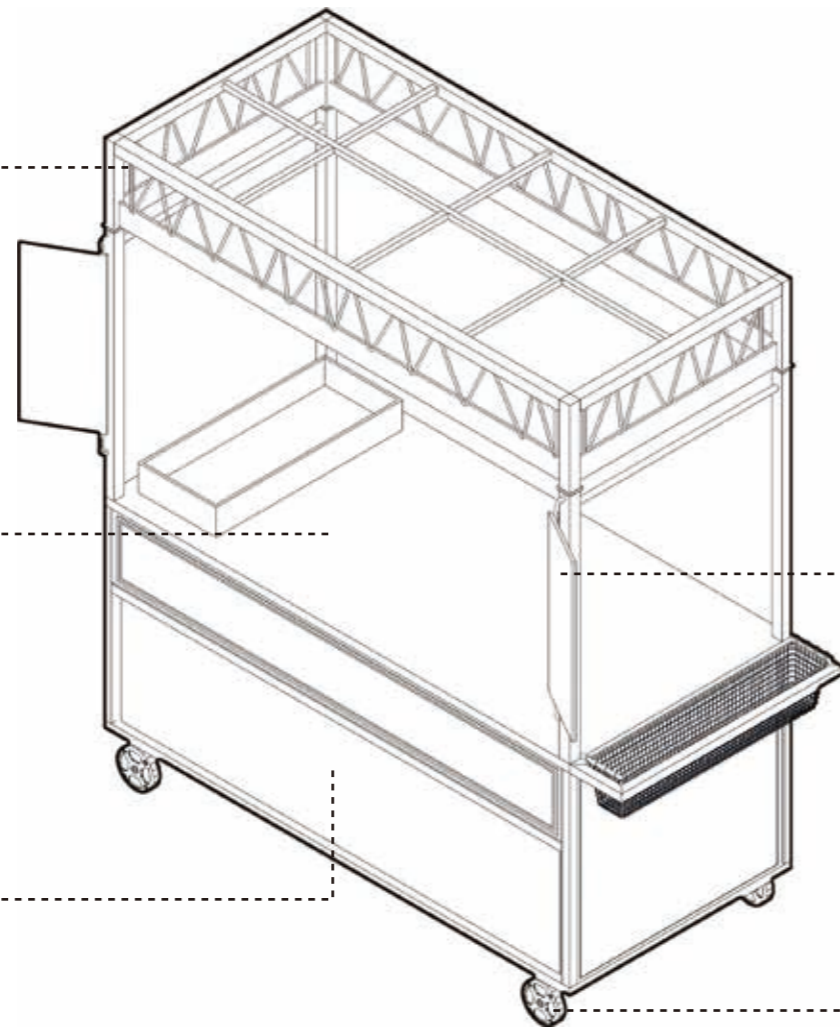
PVC Rope
Decorative and Hangable



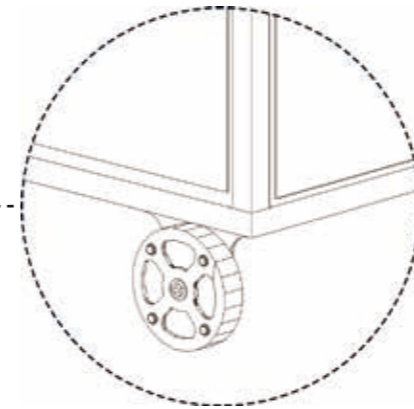
Wood
Lightweight and Robust



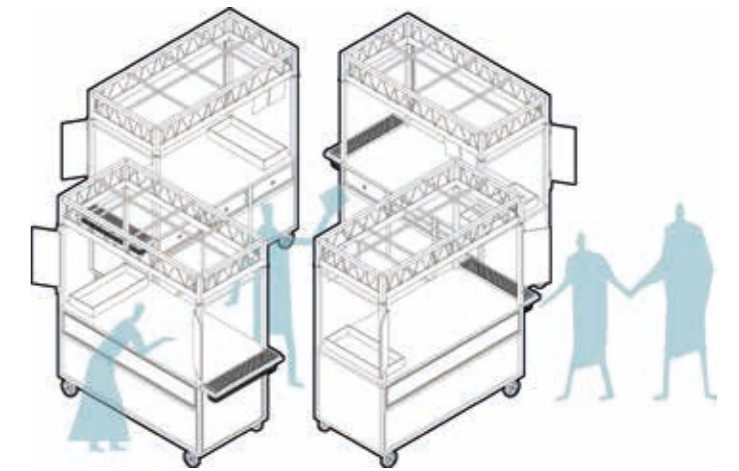
Blackboard
Convenient and Write freely



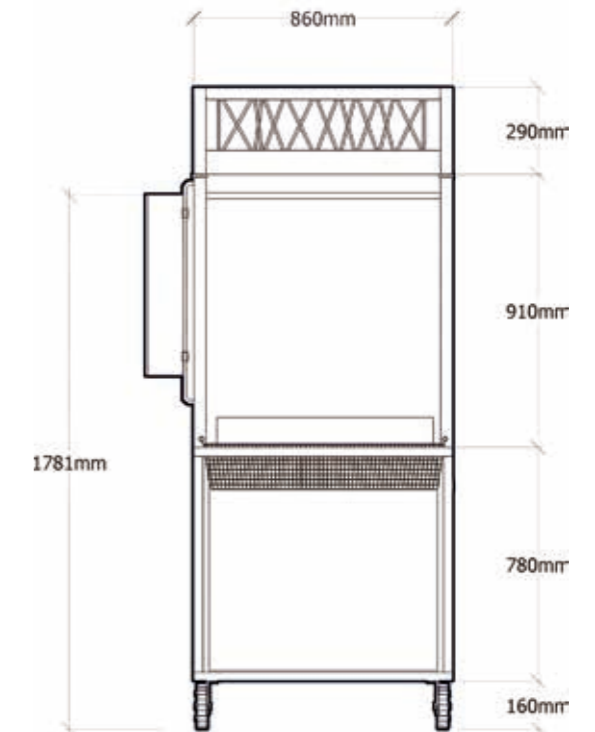
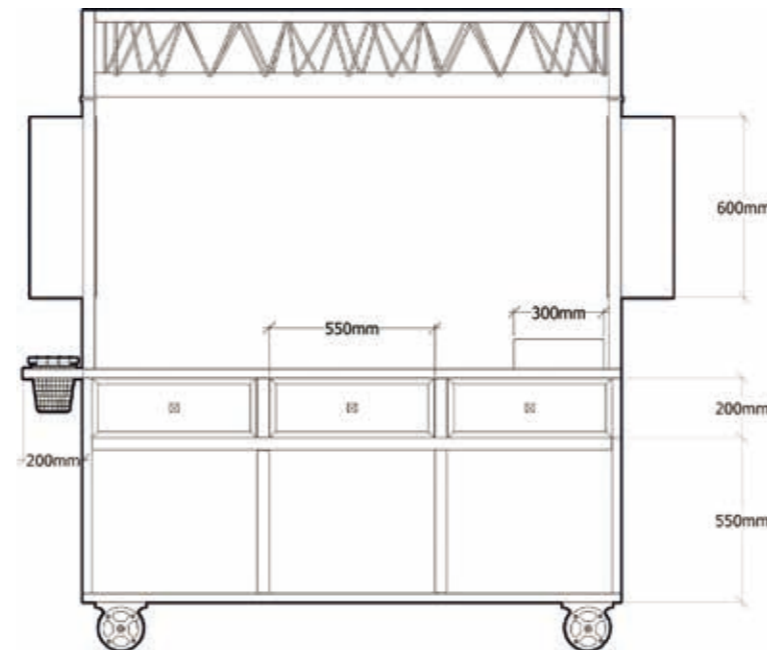
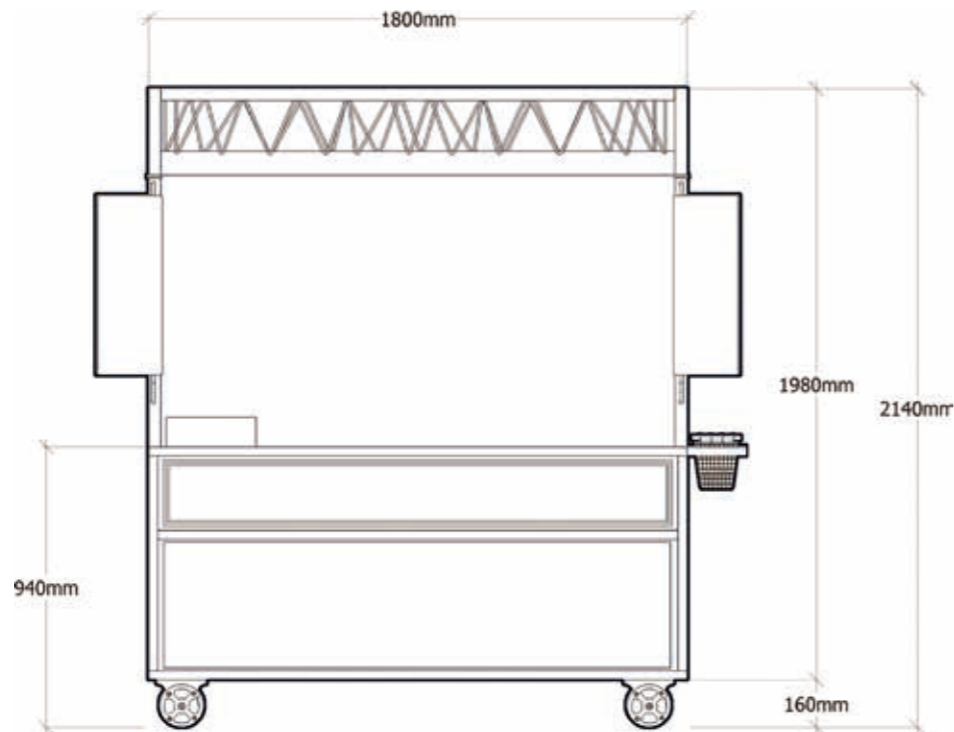
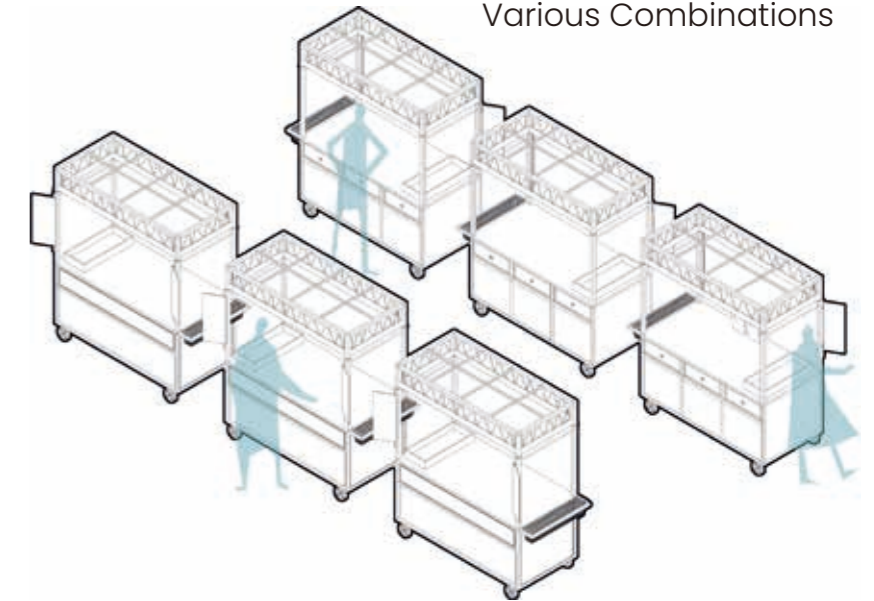
Flexible connection, can
be rotated at any angle.



Pulley mounted on the
bottom for free movement.



Various Combinations





Central Garden

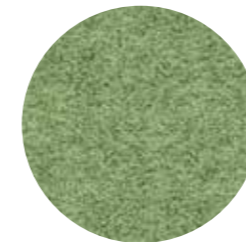
I believe that an open outdoor space with tables and chairs is more beneficial for students to socialize with each other. I would like students to be close to nature and have a relax.

Material Analysis



Outdoor Anti-corrosion Wood

It is resistant to corrosion, termites, moisture and mould. It usually can be used for ten to thirty years.



Lawn

Usually kept at a short height, students can sit on the lawn to rest and socialize.



Natural Color Gravel

Laying on the walking path, which also have a decorative effect.



White Waterproof outdoor paint

Central Garden



Dining Area & Kitchen



Vinyl Flooring

Vinyl Flooring has excellent durability and moisture resistance. It is cheaper to maintain and easier to clean.



Marble Floor Tile

Use marble floor tiles in the kitchen to release oil splashes and make it easy to clean.



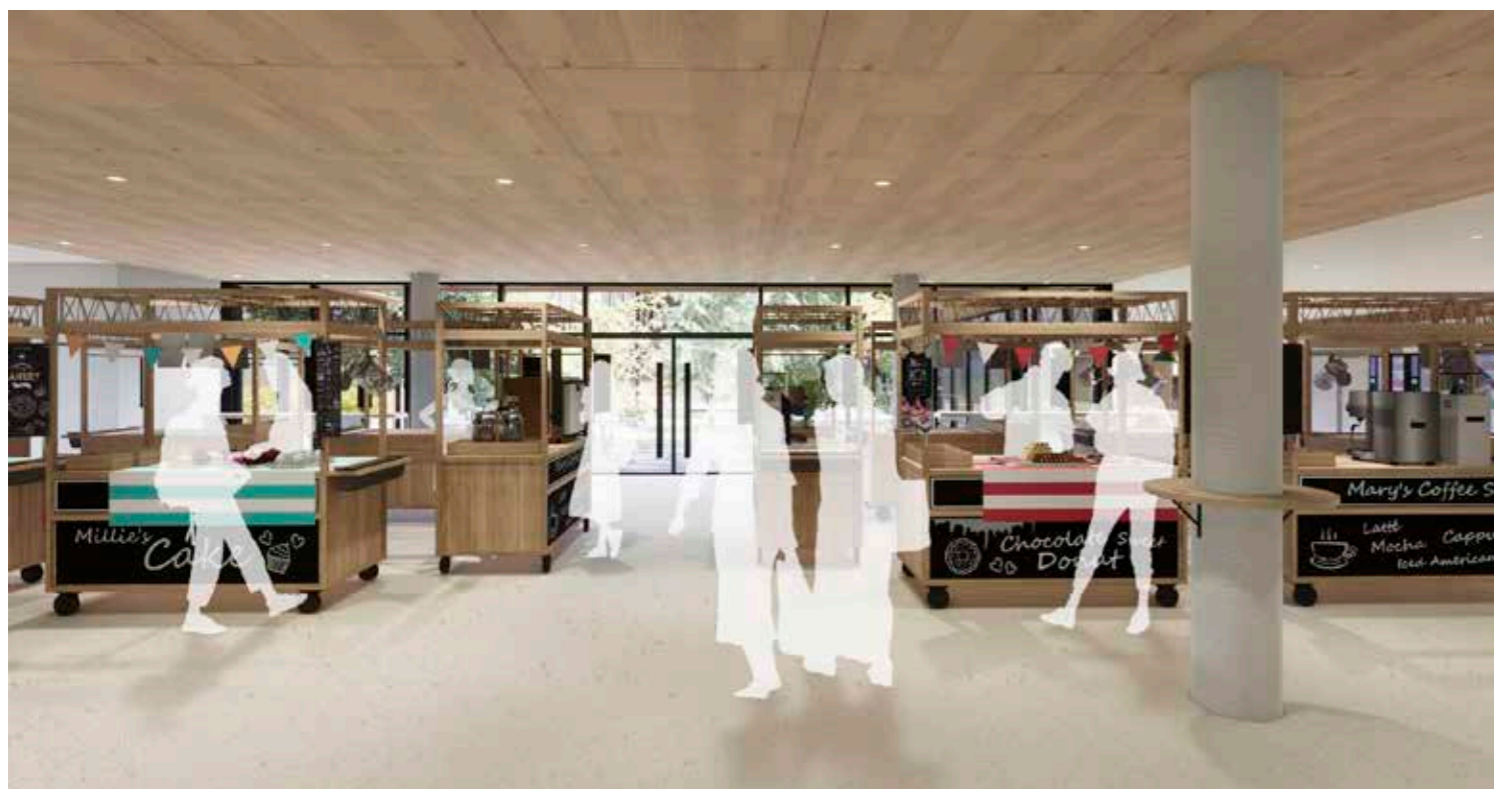
Wooden Flooring

Wooden flooring in some dining areas.



Wooden Suspended Ceilings

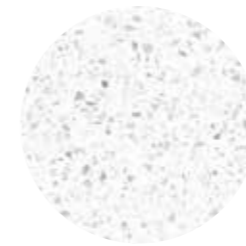
The original wooden suspended ceiling is retained. Adding lighting to brighten up the space.



Food Stalls



Cooking Classroom



Terrazzo Countertop

Terrazzo is highly resistant to heat, long lasting. It is composed of various materials with a good range of textures and colours.



Metal

The enclosure of the cooking classroom are black metal stands and some wooden boxes.



Wood

All tables are lightweight wood and easy to move.



Dining Area